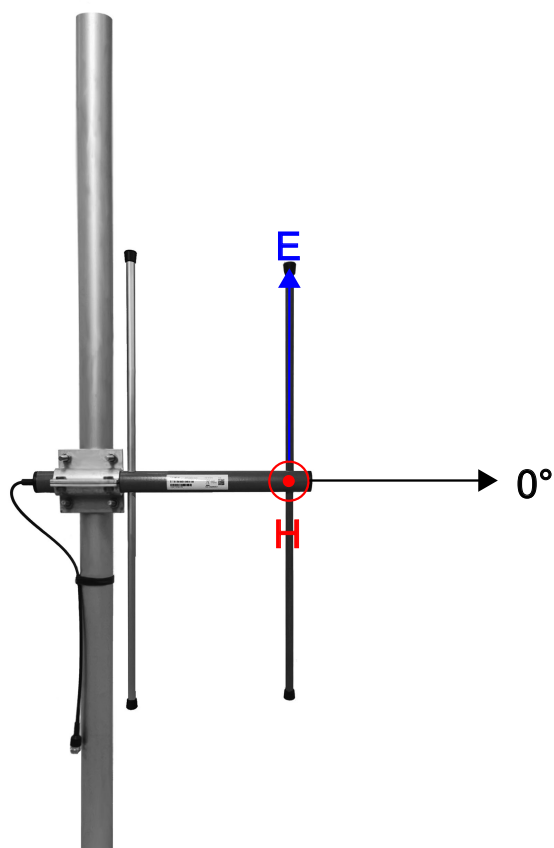
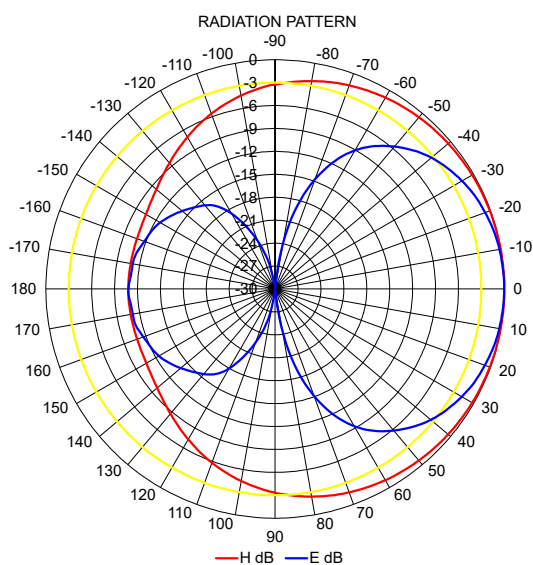


FREQUENCY INDEPENDENT DATA

Description:	directional yagi
Frequency:	221-239 MHz
Impedance:	50 ohm
Gain:	6 dBi
H -3 dB:	174°
E -3 dB:	77°
F/B:	11 dB
Polarization:	vertical/horizontal
Connector:	N-female
VSWR:	< 1.5
Radome:	UV resistant ABS, RAL 7012, PU foam filling
Radiator:	copper
Passive elements:	coated aluminium
Attachment:	Ø 35-60 mm, aluminium alloy bracket, stainless steel V-bolts and self-locking nuts
Lightning protection:	DC-short circuited
Temperature:	-40°C - +80°C
IP:	67



405 mm



HCM 087EC28 038EA00

- combination of durability, light weight and low wind load
- radome enclosed radiator
- IP67 proof construction
- all electromechanics moulded inside of closed cell PU foam
- DC shorted feed point
- integrated impedance compensation
- integrated RF choke

CA230Y-N DIRECTIONAL YAGI



RoHS
COMPLIANT

CompleTech
ComAnt[®] -antennas by CompleTech, Finland