



2J545

(DATASHEET)

Type	Tetra antenna
Frequencies	TETRA (380 - 500 MHz)
Mounting	Glass Mount
Revision	00



P. Tipul

D. Noble

1. SPECIFICATION

1.1. Electrical Specifications

Frequencies	TETRA (380 - 500 MHz)
Impedance	50 Ohms
Polarization	Linear
Gain	3dBi
VSWR	<2:1
Power handling	35W
Operating temperature	-40°C to +80°C

1.2. Connection Specifications

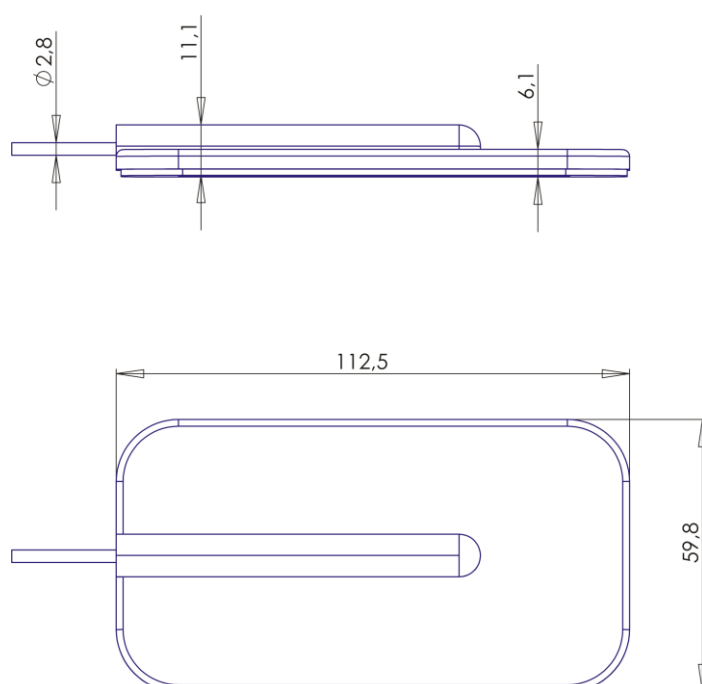
Connector type: SMA
 Cable: RG58
 Cable length: 30 cm

For different cable length and connector type ask our sales team.

1.3. Mechanical Specifications and Dimensions

1.3.1. Glass Mount

Material: ABS
 Max. dimensions: 11.1mm x 112.5mm x 59.8mm (H x L x W)
 Weight: 45 g 'weight counted with cable above'
 Colour: Black (for different colours please ask our sales team)



2. MEASUREMENT

Freq = 0.4330GHz Az= 45 EL= 45

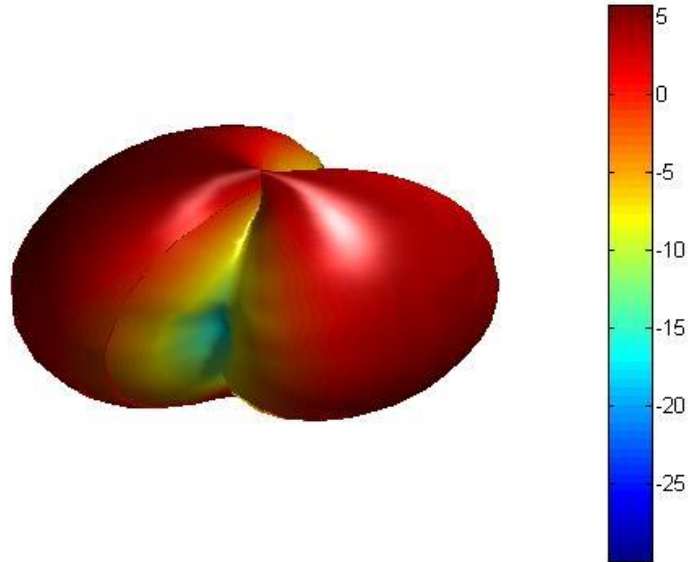


Figure 1 - antenna gain at 433MHz tested with 30cm cable length



Figure 2 - VSWR tested with 30cm cable length