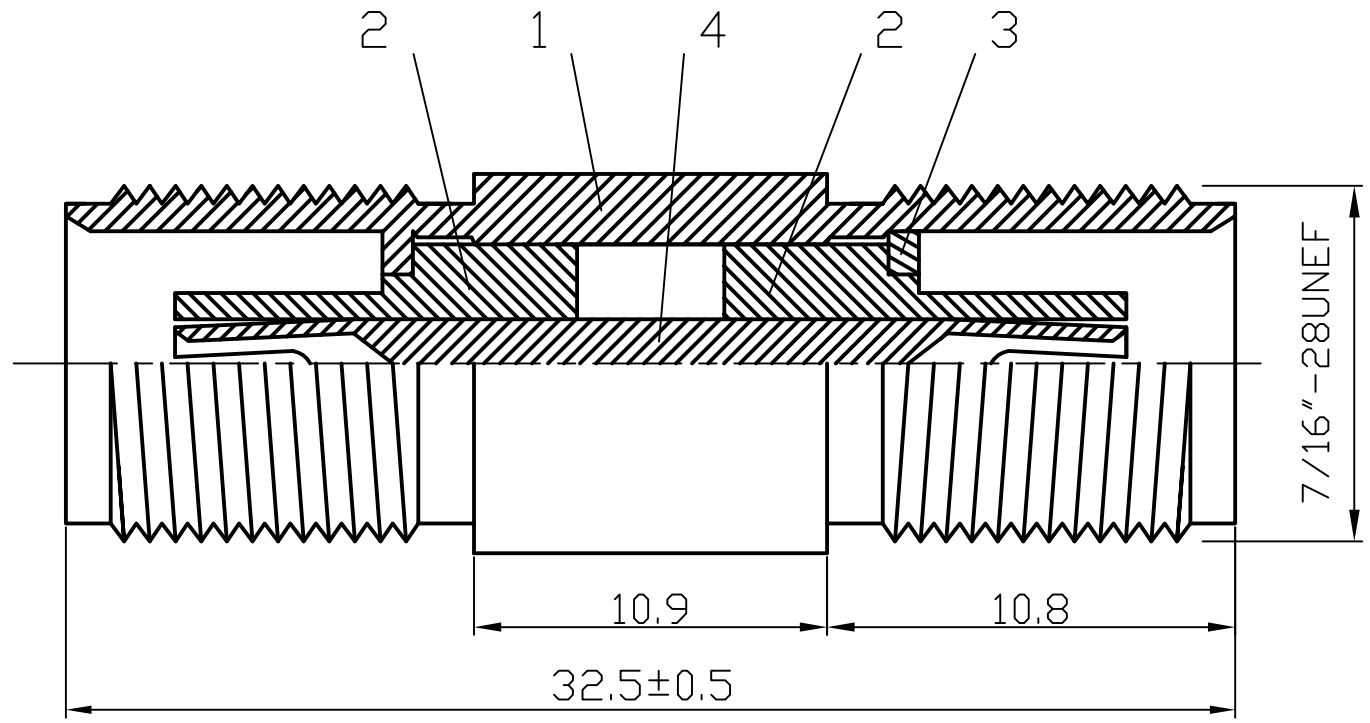


8 ROHS COMPLIANCE

DATE	DESCRIPTION	REV
11.11.11	NEW RELEASE	A



10					
9					
8					
7					
6					
5					
4	PIN	1	BRASS	GOLD	
3	WASHER	1	BRASS	NICKEL	
2	INSULATOR	2	DELRIN	WHITE	
1	BODY	1	BRASS	NICKEL	
NO	Description	Q'ty	Material	Finish	Part Number

<p>UNLESS OTHERWISE SPECIFIED</p> <p>1. REMOVE ALL BURRS.</p> <p>2. BREAK ALL CONNERS & EDGES CO.15 MAX.</p> <p>3. CHAMFER 1ST & LAST THREADS 45°.</p> <p>4. DIAMETERS ON COMMON CENTERS. TO BE CONCENTRIC WITHIN 0.01 T.I.R.</p> <p>5. ALL DIMENSIONS ARE AFTER PLATING.</p>	<p>MAJOR DIMENSIONS</p> <p>UNLESS OTHERWISE NOTED TOLERANCES</p> <p>0.5-6=±0.2</p> <p>6-30=±0.4</p> <p>30-120=±0.6</p> <p>ANGLES=±5°</p>	<p>APPROVED BY</p> <p>CHECKED BY</p> <p>DRAWING BY</p> <p><i>Artemis</i></p>	<p>DRAWING NO</p> <p>413-200</p> <p>TITLE</p> <p>TNC DOUBLE FEMALE ADAPTER</p>
	<p>SCALE 4/1 UNIT MM</p> <p>DATE 2011/11/11</p>	<p>REV.</p> <p>A</p>	
	<p>DO NOT SCALE DRAWING</p>		
	<p>8 7 6 5 4 3 2 1</p>		