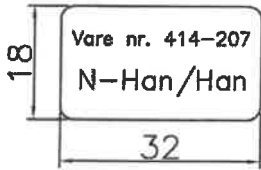


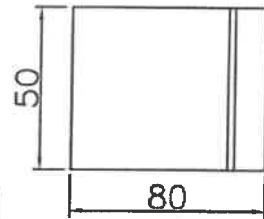
ROHS

ISO 9001
ISO 14001

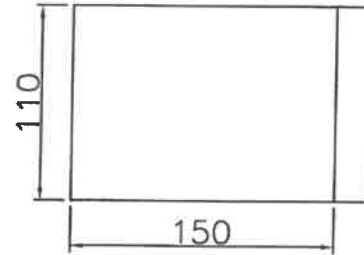
single-packing sticker



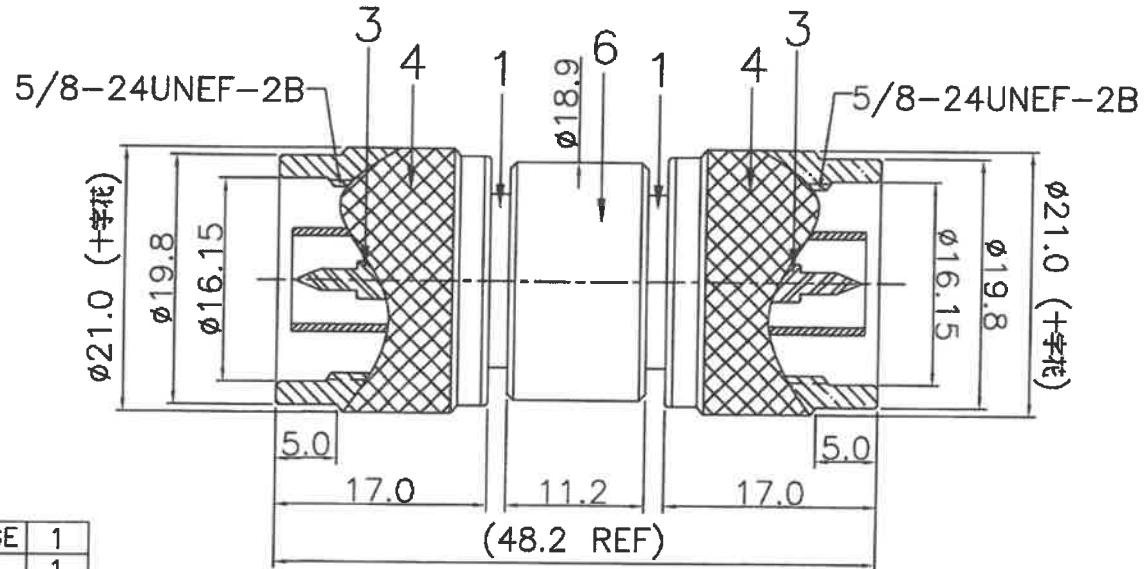
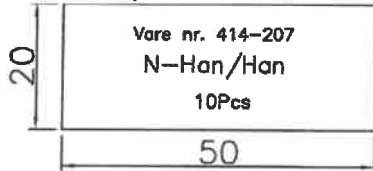
single-packing zipper bag



10pcs PE bag



10pcs sticker



7	GASKET	RUBBER / ORANGE	1
6	SHELL	BRASS / NI	1
5	WASHER	BRASS / NI	1
4	SHELL	BRASS / NI	1
3	PIN	PHOSPHOR BRONZE / GOLD	1
2	INSULATOR	PTFE / WHITE	1
1	BODY	BRASS / NI	1
NO	DESCRIPTION	MATERIAL / FINISH	QTY

Part NO	XP-CR324-6092
---------	---------------

Material:		Treatment:		TRANSVOICE			
Drawer	Design	Aprov	Tolerance	Unit: mm		TITLE	N M TO N M
			X=±0.5 .X=±0.2 .XX=±0.1 .XXX=±0.05	Ver: A	Scale 2:1	Model NO	414-207
				File NO: QRO402	Drawing NO	100-27001-123	