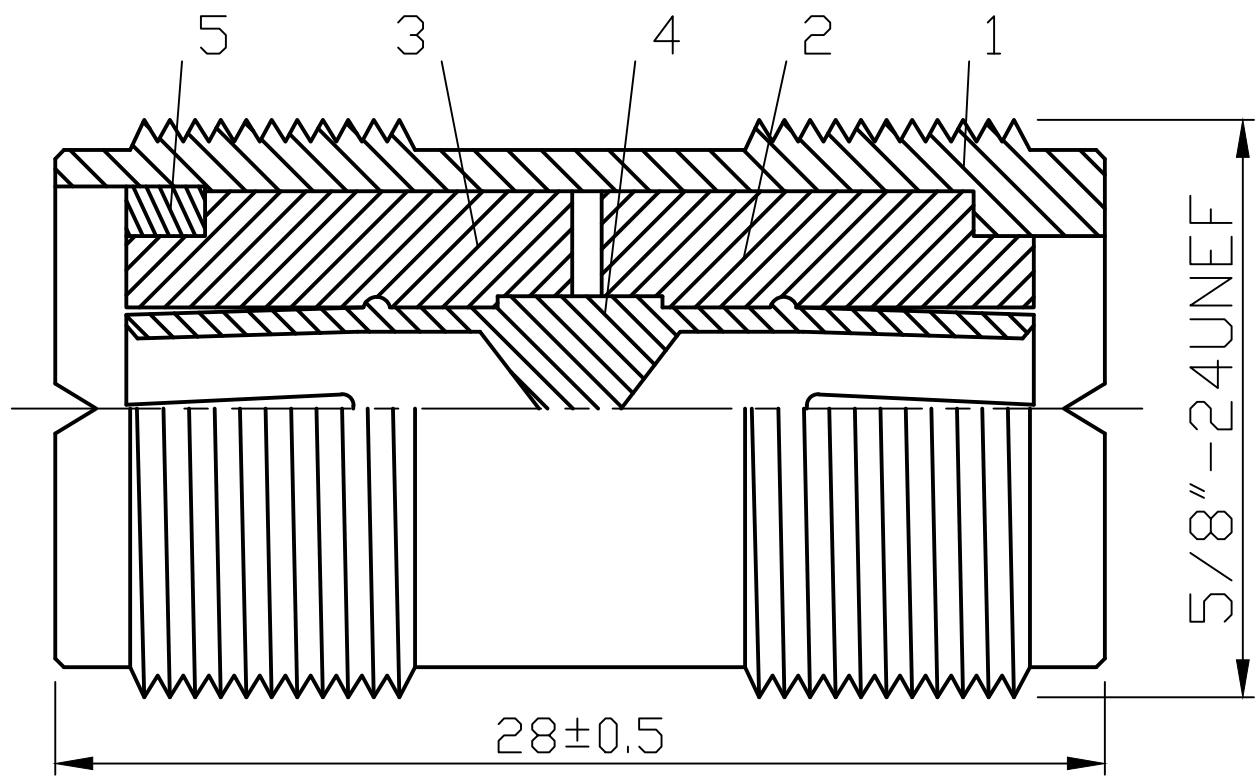


ROHS COMPLIANCE

DATE	DESCRIPTION	REV
09.08.24	NEW RELEASE	A



12					
11					
10					
9					
8					
7					
6					
5	WASHER	1	BRASS	NICKEL	
4	PIN	1	BRASS	NICKEL	
3	INSULATOR	1	DELRIN	WHITE	
2	INSULATOR	1	DELRIN	WHITE	
1	BODY I	1	BRASS	NICKEL	
NO	Description	Q'ty	Material	Finish	Part Number

UNLESS OTHERWISE SPECIFIED
 1. REMOVE ALL BURRS.
 2. BREAK ALL CONNERS & EDGES CO. 15 MAX.
 3. CHAMFER 1ST & LAST THREADS 45°.
 4. DIAMETERS ON COMMON CENTERS.
 TO BE CONCENTRIC WITHIN 0.01 T. I. R.
 5. ALL DIMENSIONS ARE AFTER PLATING.

MAJOR DIMENSIONS
 UNLESS OTHERWISE NOTED TOLERANCES
 0.5-6=±0.2
 6-30=±0.4
 30-120=±0.6
 ANGLES=±5°

APPROVED BY
 CHECKED BY
 DRAWING BY
ARTEMIS
 DATE 2017/08/11

DRAWING NO
415-202
 TITLE
UHF DOUBLE FEMALE ADAPTER
 REV. **A**

DO NOT SCALE DRAWING