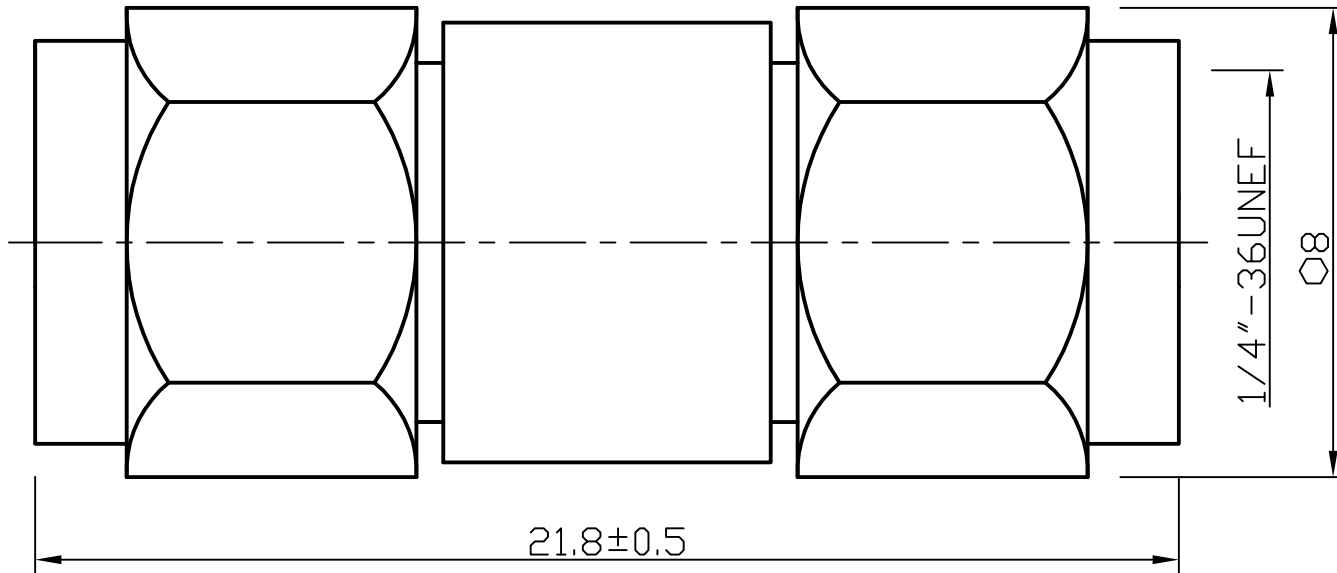


8 7 6 5 4 3 2 1

ROHS COMPLIANCE

DATE	DESCRIPTION	REV
09.12.28	NEW RELEASE	A



E
D
C
B
A

11					
10					
9					
8					
7					
6					
5	GASKET	1	RUBBER	RED	
4	PIN	1	BRASS	GOLD	
3	SPRING	1	SK-5	NICKEL	
2	INSULATOR	1	TEFLON	WHITE	
1	BODY	1	BRASS	NICKEL	
NO	Description	Q'ty	Material	Finish	Part Number

UNLESS OTHERWISE SPECIFIED 1. REMOVE ALL BURRS. 2. BREAK ALL CONNERS & EDGES CO. 15 MAX. 3. CHAMFER 1ST & LAST THREADS 45°. 4. DIAMETERS ON COMMON CENTERS. TO BE CONCENTRIC WITHIN 0.01 T. I. R. 5. ALL DIMENSIONS ARE AFTER PLATING.	MAJOR DIMENSIONS	APPROVED BY	DRAWING NO	
	UNLESS OTHERWISE NOTED TOLERANCES	CHECKED BY	417-201	
	0.5-6=±0.2 6-30=±0.4 30-120=±0.6 ANGLES=±5°	DRAWING BY	TITLE	
	SCALE 5/1 UNIT MM	DATE 2009/12/28	DOUBLE SMA MALE	
		ART&MJP	REV. A	

8 7 6 5 4 3 2 1