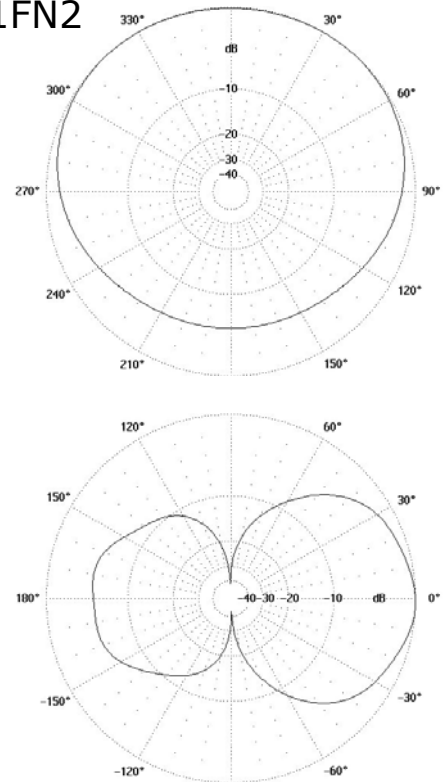
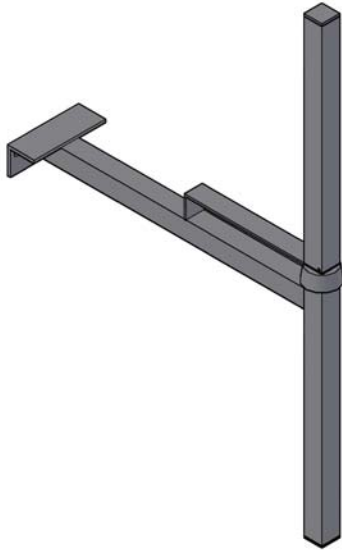



## ATEX APPROVED LOW GAIN BASE STATION ANTENNA AV1312-1A-EXnA-131FN2



Type	AV1312-1A-EXnA-131FN2
Frequency	118...136 MHz / 118...144 MHz
Bandwidth	18 MHz / 26 MHz
Impedance	50 $\Omega$ DC grounded
VSWR	1,5 typical
Polarisation	Vertical
Gain	2 dBi nominal in free space *) 4 dBi nominal at the top of a 60mm tube (L=4xdipole length) *) 4 dBi nominal at the side of a 60mm tube (L=4xdipole length) *) For other mounting configurations please contact Aerial Oy
E-plane 3 dB beamwidth	70°
H-plane 3 dB beamwidth	200°/depending on mounting *)
Electrical downtilt	None
Front to back ratio	6 dB/depending on mounting *)
Max. Continuous power	500W, limited by input connector *)
RF-connector	N-female on a 1000mm fixed jumper
Operational windspeed	40 m/s (default)
Survival windspeed	55 m/s (default)
Effective wind area ( $A_{eff}$ )	0,10 m <sup>2</sup>
Dimensions (H x W x D) ( $\varnothing$ x H)	1021 x 160 x 661 mm
Weight	7,5 kg antenna only, add 2 kg for standard mounting kit AETM160-6-A2
Mounting diameter	$\varnothing$ 30...115 mm pipe standard mounting kit AETM160-6-A2
Materials	AISI304 AISI316 Glass reinforced PE
Options	Mounting kit and colour
Atex marking	 II 3G, Ex nA IIA/IIB/IIC T6 Gc
Ambient temperature	-45 °C $\leq$ Tamb $\leq$ +60 °C (Class T6)

\*) Limited and/or controlled when used in ATEX-environment. See related EC DECLARATION OF CONFORMITY ATEX Directive 94/9/EC, TYPE EXAMINATION CERTIFICATE, installation instruction and their attachments for more details, information and before installation and assembly.