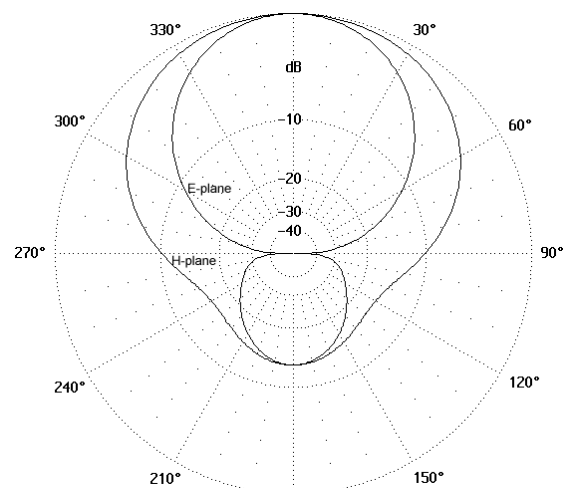
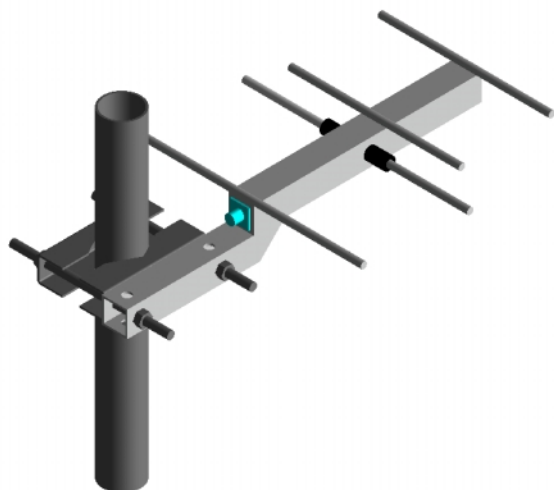


YAGI ANTENNA AV1467



Type	AV1467
Frequency	370...400 MHz (AV1467-385) 400...440 MHz (AV1467-420) 440...480 MHz (AV1467-460)
Bandwidth	30 MHz (AV1467-385) 40 MHz (AV1467-420) 40 MHz (AV1467-460)
Impedance	50 Ω DC grounded
VSWR	1,5 max
Polarisation	Horisontal or Vertical
Gain	6 dBi
E-plane 3 dB beamwidth	60°
H-plane 3 dB beamwidth	110°
Electrical downtilt	None
Front to back ratio	13 dB
Max. Continuous power	0,5 kW
RF-connector	N or 7/16 female
Operational windspeed	40 m/s (default)
Survival windspeed	55 m/s (default)
Wind area	0,05 m ²
Dimensions (H x W x D) (\varnothing x H)	574 x 380 x 90 mm
Weight	1,5 kg
Mounting diameter	\varnothing 30...115 mm pipe
Materials	Aluminium Glass reinforced polycarbonate/PE
Options	-