

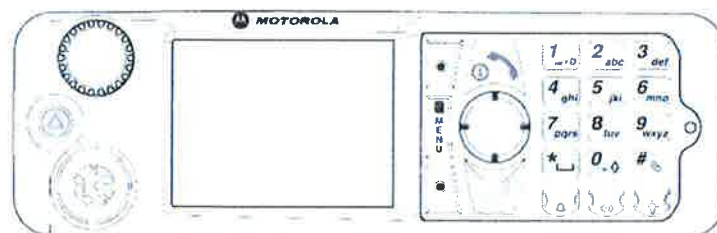
4.5

Motorcycle Mount Enhanced Control Head Installation

Motorola Solutions provides standard Motorcycle installation kits for a range of applications including four Button Handlebar Control with integrated Helmet Headset and true Covert installations.

The keypad labeling of the control head may vary according to the specific customer/country concerns.

Figure 34: Motorcycle Mount Enhanced Control Head - Front Side



4.5.1

Installing Motorcycle Mount Enhanced Control Head

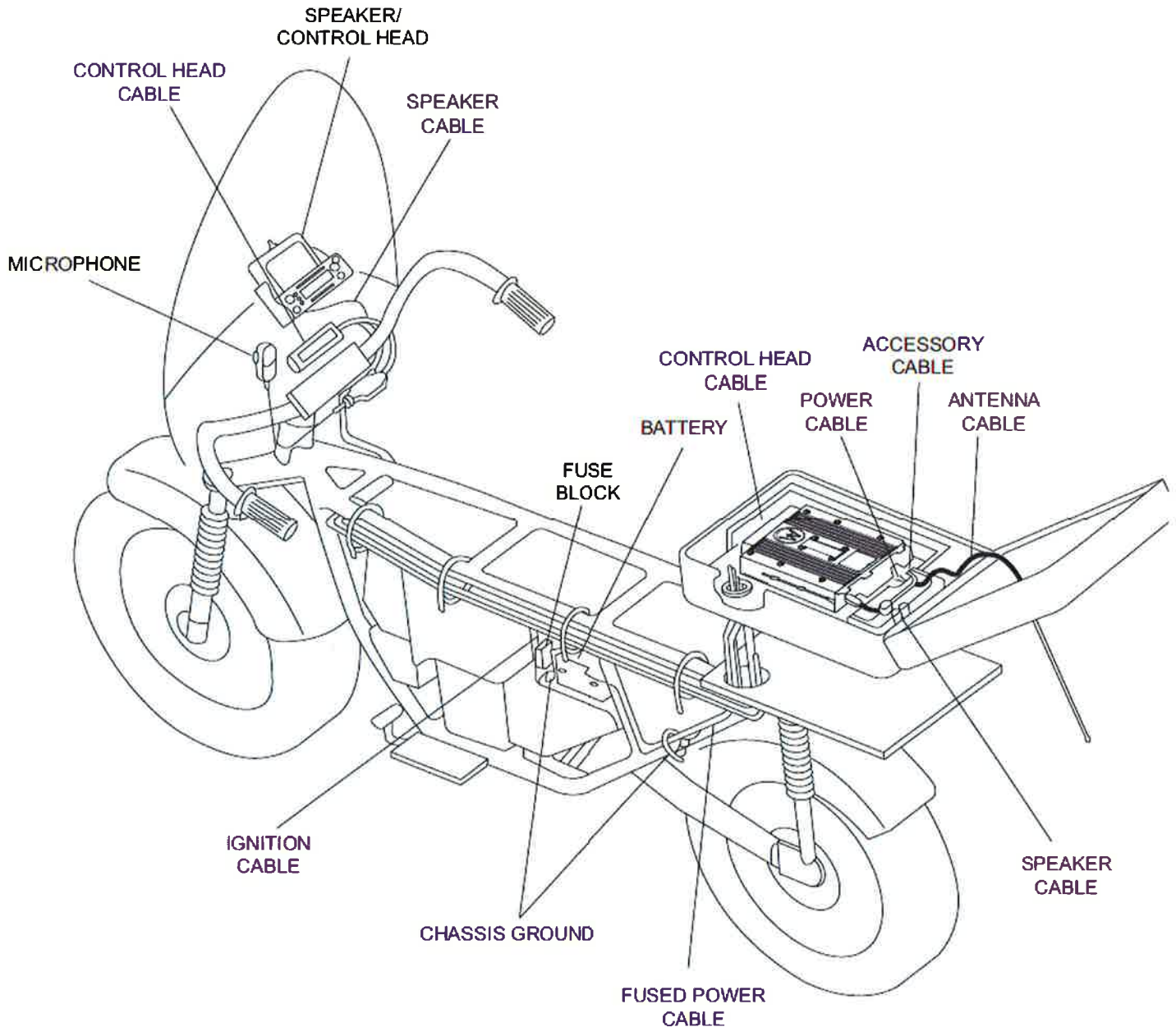
Planning is the key to fast, easy radio installation. Before a hole is drilled or a wire is run, inspect the vehicle and determine how and where you intend to mount the antenna, radio, and accessories. Plan wire and cable runs to provide maximum protection from pinching, crushing, and overheating.



NOTICE: Only persons who are competent and able to ensure that the complete installation fulfils its regulatory requirements, such as ElectroMagnetic Compatibility (EMC) are allowed to plan the installation. Be sure that the distance from the antenna location on the transceiver enclosure is at least 30 cm or 1 foot to the motorcycle operator to assure compliance with RF Energy Safety standards. To assure that human exposure to radio frequency electromagnetic exposure is within the guidelines referenced in this document, transmit only when bystanders are at least the minimum distance (90 cm or 3 feet) from the motorcycle.

When and where to use: The following list of considerations should, as a minimum, be checked during installation planning:


Figure 35: Motorcycle Installation



Procedure:

- 1 The recommended place for the transceiver is to place it in the box at the back of the motorcycle.
- 2 Mount the Motorcycle Mount Enhanced Control Head horizontally at a position which enables the driver to view the controls and operate them easily.
- 3 Be sure that the Motorcycle Mount Enhanced Control Head is close enough to the vehicle operator to permit easy access to operating controls.
- 4 Mount the Motorcycle Mount Enhanced Control Head directly on the chassis or handle part.
- 5 Ensure that the units mounted in the motorcycle box are protected from dirt and moisture.
- 6 Verify that there is sufficient space around the units to allow air flow and removal.

- 7 Verify that the cable from the handlebars-mounted Motorcycle Mount Enhanced Control Head and to the radio unit is long enough to allow for the handles to be turned.
- 8 Verify that the antenna cable is routed in the shortest way to minimize power loss over the cable.
- 9 Check that the mounting surfaces are able to support the weight of the units.

 **NOTICE:** If an additional GPS antenna or a combined TETRA/GPS antenna is used, the antenna housing carries the GPS/GNSS receiver. Take care not to cover the antenna housing with metal or other radio wave absorbing material.

- 10 Slide the Motorcycle Mount Enhanced Control Head onto the mounting trunnion until it snaps into place.
- 11 Tighten the screws at both sides of the trunnion. After a few turns, tilt the Motorcycle Mount Enhanced Control Head for an optimum view of the display. Then, complete the tightening of the screws.
- 12 There are two ways to mount the motorcycle trunnion, each limited to a 77 ° of allowable movement, as shown in the following picture.

Figure 36: Upward Movement

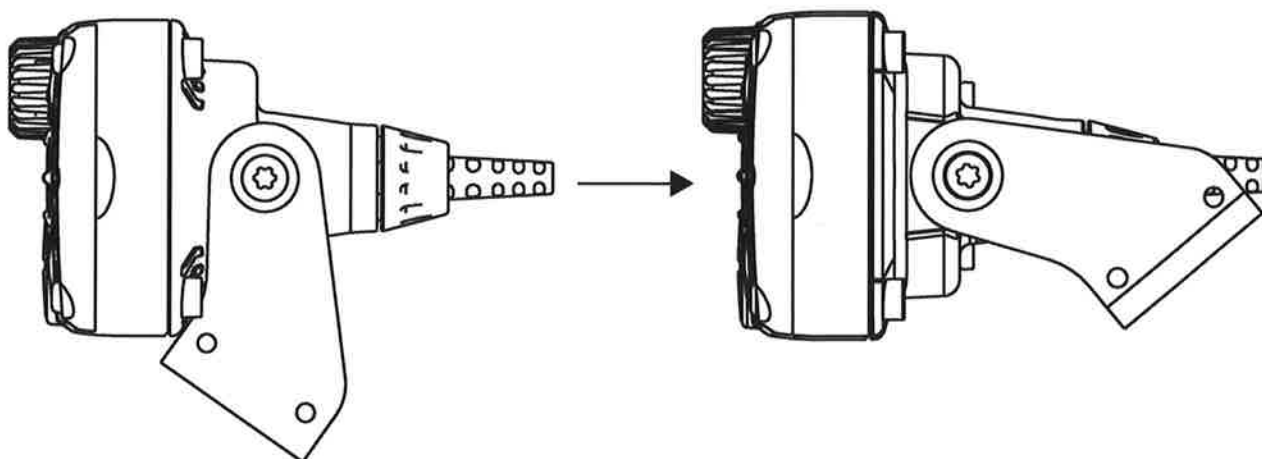
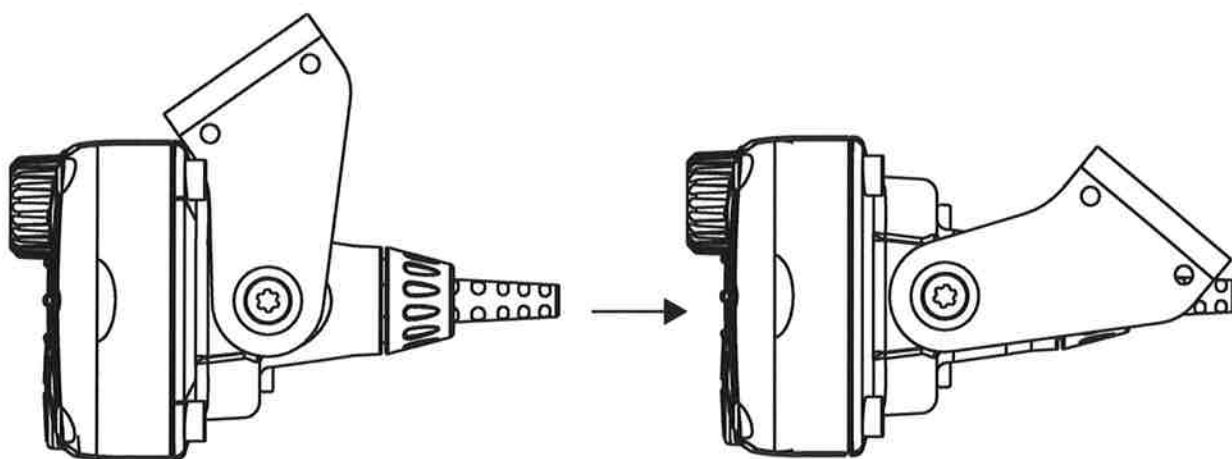


Figure 37: Downward Movement



4.5.2

MTM5200/MTM5400 Mechanical Parts

Figure 38: Motorcycle Mount Enhanced Control Head Mounted in a Trunnion

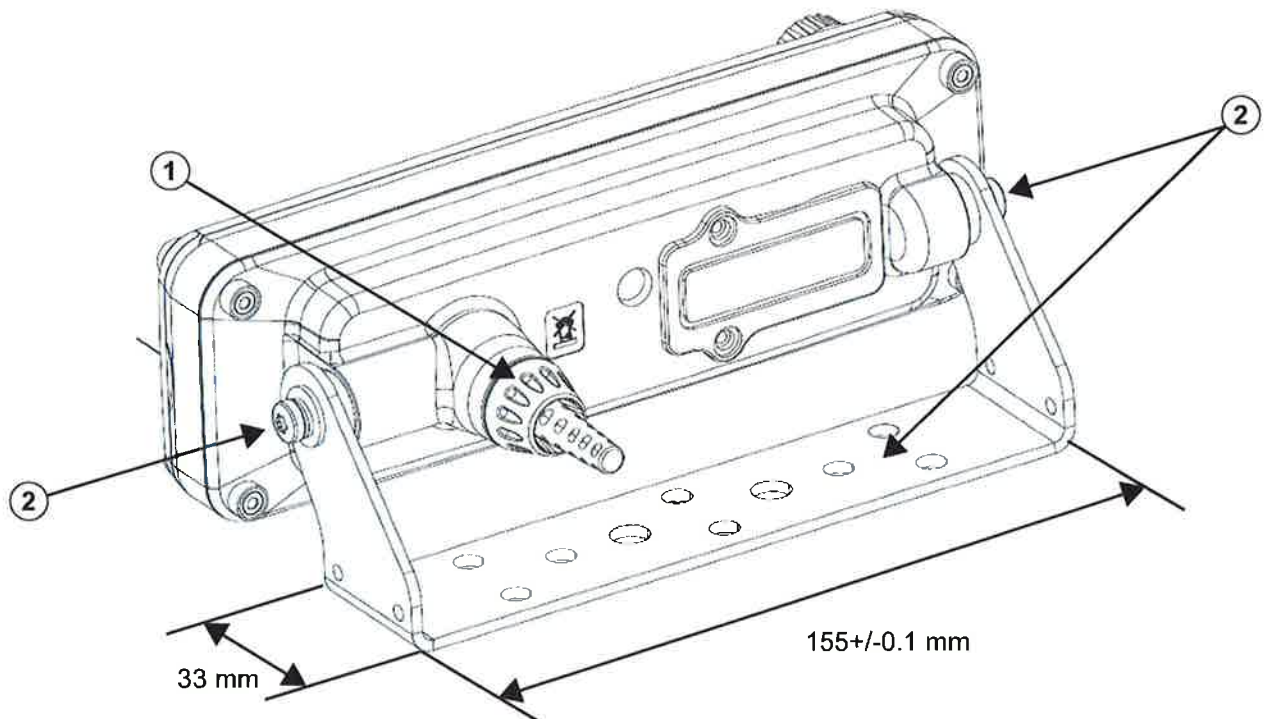


Table 48: Motorcycle Mount Enhanced Control Head - Mechanical Parts List for Installation

Item	Description	Part Number
1	Motorcycle Mount TELCO Cable	PMKN4030_
2	Motorcycle Trunnion Kit	PMLN5092_

4.5.3

Installing Motorcycle Mount TELCO Cable (PMKN4030_)

When and where to use: Follow these steps to install the Motorcycle Mount TELCO Cable (PMKN4030_).

Procedure:

- 1 Plug the TELCO connector to the TELCO socket of the Remote Head Enhanced/Data Expansion Head Enhanced connected to the transceiver.
- 2 Plug the other side of TELCO connector to the TELCO socket of Motorcycle Mount Enhanced Control Head.

4.5.4

Adding Extra Connectivity to the Motorcycle Mount Enhanced Control Head

For information on adding extra connectivity using the Accessories Expansion Cable and the Mobile Microphone Port (MMP)/USB Port module, see sections: "Adding Extra Accessories to the Remote Head by Expansion Cable" and "Installing the Accessories Expansion Cable"