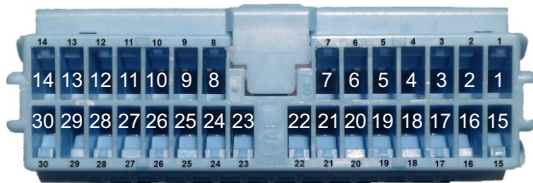


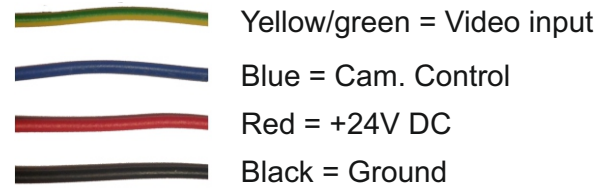
# IF-A169-C(H) Shutter interface for Volvo (FH/FM) trucks with A169 video switch



## Pin assignment

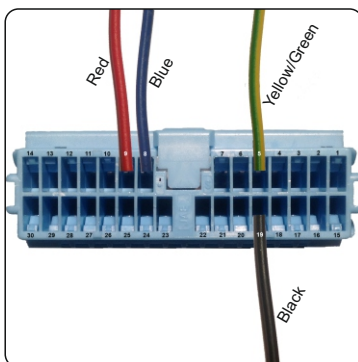


## Wire description



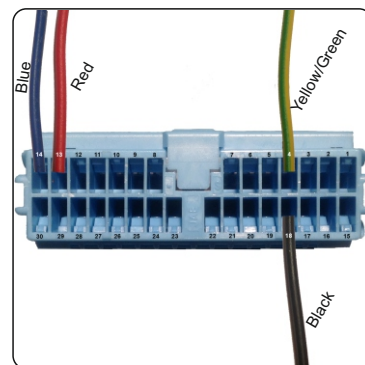
## Connections

### Camera 1



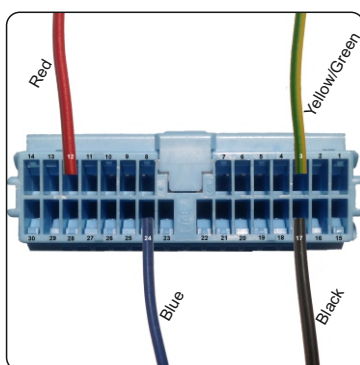
Yellow/green = A5  
Blue = A8  
Red = A9  
Black = A19

### Camera 2



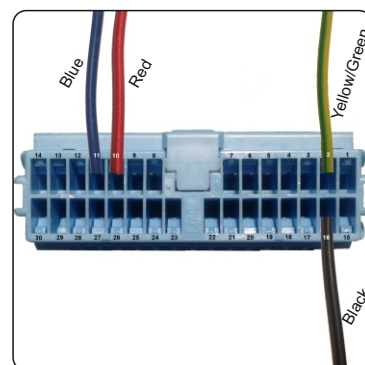
Yellow/green = A4  
Red = A13  
Blue = A14  
Black = A18

### Camera 3



Yellow/green = A3  
Red = A12  
Black = A17  
Blue = A24

### Camera 4



Yellow/green = A2  
Red = A10  
Blue = A11  
Black = A16