

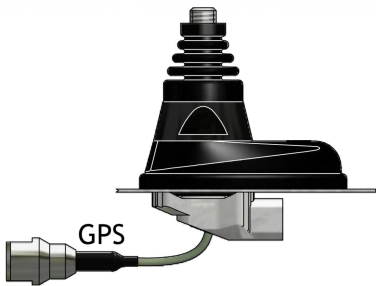
XG-COMBI MOUNT

GPS mount for GPS Antennas and Other Frequencies

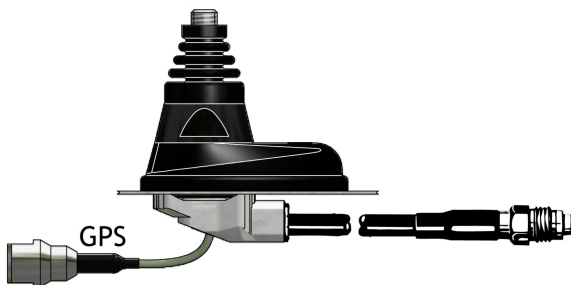
DESCRIPTION

- Mobile mount with a nice, "streamline"-look, which can be installed everywhere on the car in an 19 mm dia. hole.
- Especially suited for mounting on the narrow strip on rear wing between trunk lid and car side.
- M6 thread whip-mounting system.
- Very low requirements to installation depth both under and after installation.
- Designed for installation with access from the outside only.
- Bendable section in mount makes whip tiltable 30° by hand.
- Complete line of whips available for all communications bands up to 1300 MHz.
- Mounting body made of stainless steel !
- Choice between two connection principles:
 - XG-Combi mount: FME-connection and GPS (supplied without cable).
 - XGP4-Combi mount: Permanently attached 4 m cable terminated with FME-connector and GPS.
- GPS-antenna for fixed installations.
 - Full hemispherical coverage.
 - Built-in high-gain, low-noise amplifier.
 - Right-Hand Circular Polarization (RHCP).
 - 2.85 V - 5 V supply voltage (typical 3 V).

XG-COMBI MOUNT



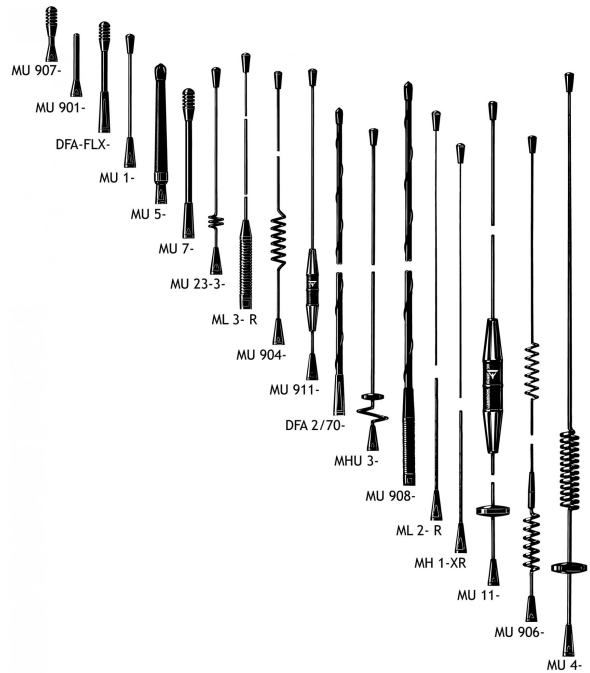
XGP4-COMBI MOUNT



ORDERING DESIGNATIONS

TYPE NO.	VERSION	PRODUCT NO.
XG-COMBI MOUNT	XG-Combi mount with FME-system	130002032
XGP4-COMBI MOUNT	XGP4-Combi mount with 4 m cable and FME-connector	130002043

A SELECTION OF THE VARIOUS WHIPS WHICH CAN BE CONNECTED TO THE XG-COMBI MOUNT



SPECIFICATIONS

ELECTRICAL	
MODEL	XG-COMBI MOUNT
APPLICATION	Mount for mobile antennas
CONNECTION TO WHIP	M6 thread stud
BUILD-IN DEPTH	Active : 30 mm Passive : 11 mm
MECHANICAL	
MATERIALS	Black-chromed brass Weather- and shockproof plastics Stainless steel
RECOMMENDED INSTALLATION TORQUE	4 ± 1 Nm
COLOUR	Black
LENGTH/WIDTH	48 mm/28 mm
WEIGHT	XG-version: Approx. 60 g XGP4-version: Approx. 200 g
MOUNTING	19 mm dia. hole
ROOF THICKNESS	Max. 2 mm
ELECTRICAL FOR GPS-PART	
OPERATING FREQUENCY	1575.42 ± 1.023 MHz
LNA GAIN	22 dB ± 2 dB
NOISE FIGURE	Max. 1.5 dB (typical 1.1 dB)
VOLTAGE	DC 2.85 V ~ 5 V (typical 3 V)
CURRENT	≤ 20 mA
IMPEDANCE	Nom. 50 Ω
MECHANICAL	
CONNECTOR	Cable: RG 178, length 150 mm Connector: FME-male

FME-SYSTEM ACCESSORIES

FME-CABLES		FME-CONNECTORS	
TYPE	PRODUCT NO.	TYPE	PRODUCT NO.
1 m FME	130000437	FME-FME	130000583
2 m FME	130000447	FME-P (Prolongation)	130000565
3 m FME	130000457	FME-N	130000571
4 m FME	130000466	FME-FSMA (Female-SMA)	130000578
5 m FME	130000474	FME-BNC	130000566
6 m FME	130000483	FME-TNC	130000569
4 m FME-white	110000064	FME-UHF	130000572
6 m FME-white	110000066	FME-MUHF (Mini-UHF)	130000573
12 m FME-white	110000068	FME-EMUHF (Elbow-MUHF)	130000582
18 m FME-white	110000069	FME-EBNC (Elbow-BNC)	130000580
		FME-ETNC (Elbow-TNC)	130000581
		FME-SMA	130000577

For further information about other types of FME-cables and FME-connectors, please compare the cable and connector data sheets under accessories in our catalogue.

INSTALLATION

XG-Combi mount antenna types can be mounted anywhere on the car, however, roof top mounting is always recommended.

The oblong XG-Combi mount is able to be mounted on the often very narrow strip on the rear wing between the trunk lid and the side of the car.

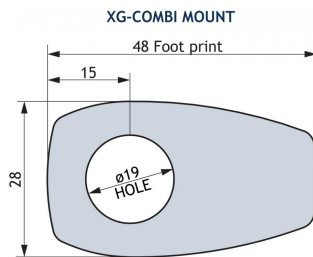
Mounting can take place with access from the outside or inside when drilling an 19 mm dia. hole.

A good contact surface on the inside of the car body must always be ensured, thus enabling the base plate to get in direct contact with the metal parts of the car, which is of utmost importance for proper performance of the antenna.

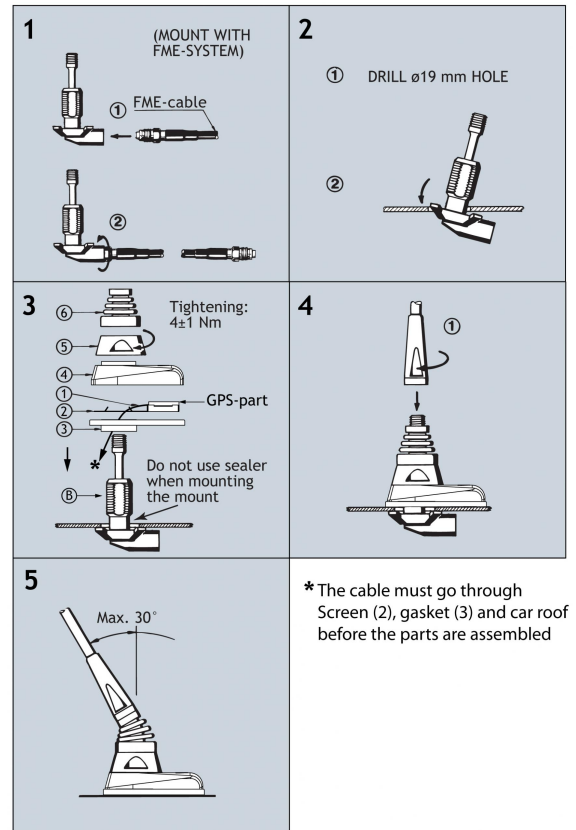
When cleaning the car in car-washing machines, the whip is easily removed using a fork spanner, size 9 mm. The whip is refitted again by screwing it onto the thread stud and tightening it lightly with the spanner.

As the XG-Combi mount is internally equipped with a bendable section, the antennas can always be adjusted to an upright position independent of the tilt angle of the installation spot (up to 30° tilt).

1. INSTALLATION DIMENSIONS



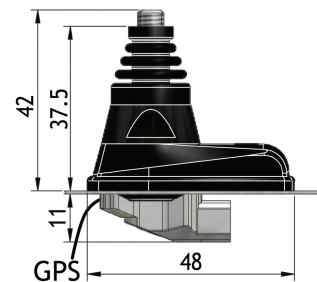
2. INSTALLATION STEPS



Do not use sealer on rubber gasket or other places.

ASSEMBLY INSTRUCTIONS

- Put GPS-FME-connector-cable through the gasket (2).
- Put the gasket (2) + GPS-part (1) over the body (B).
- Put the body (B) + gasket (3) + GPS-part (1) through the $\varnothing 19$ mm hole.
- Put the housing (4) over the body (B) and be sure that the GPS-part (1) fits into the square hole in the body (B).
- Put the threaded part over the body (B) and tighten max. 4 ± 1 Nm!
- Put the corrugated plastic unit (6) over the body (B).
- Mount the antenna whip se figure 4.



PROCOM A/S reserve the right to amend specifications without prior notice.

25/06/14